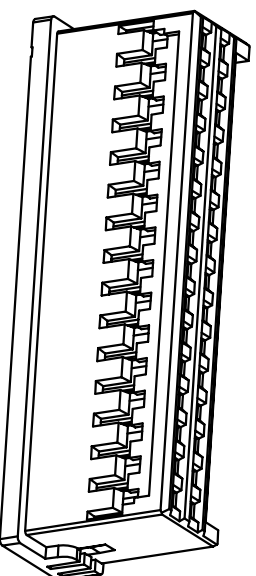
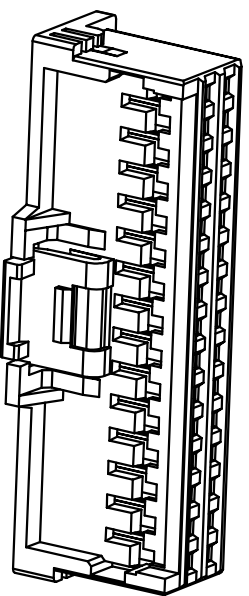
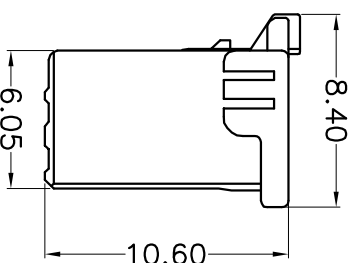
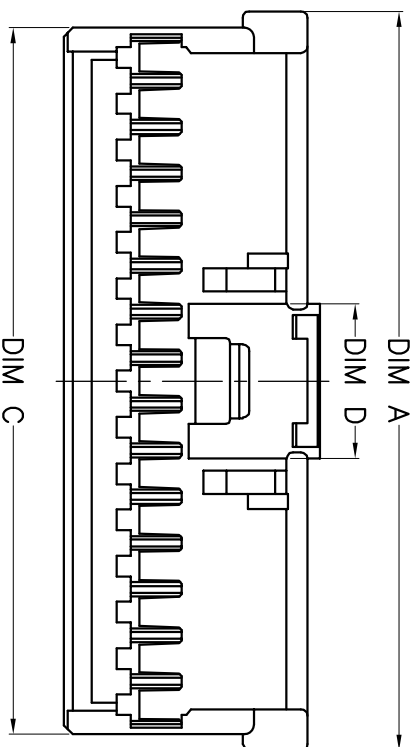


H200012-XX
 SERIES NO: _____
 PIN Q'PY: 10~40



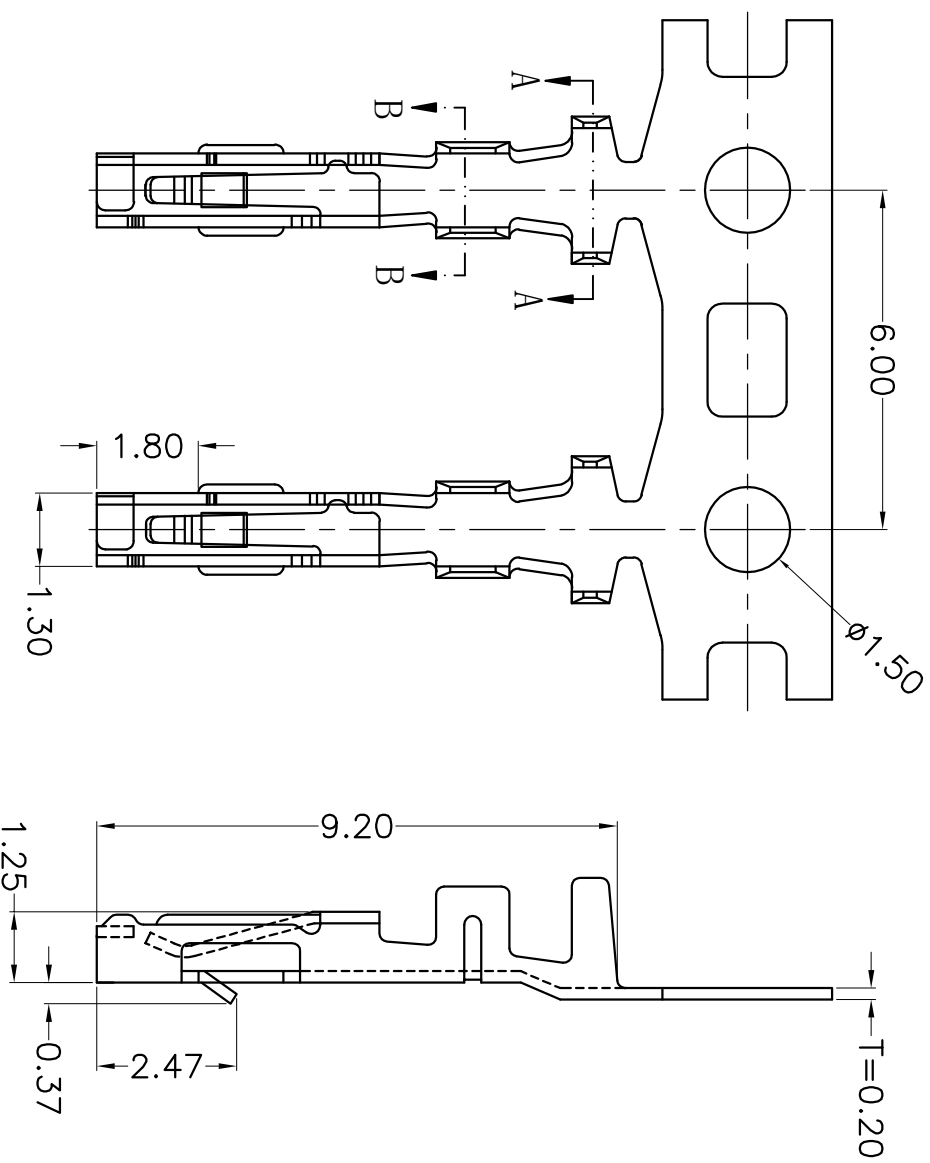
- Features:
1. 10~40 circuits available;
 2. Material: PA66 UL 94V-0;
 3. Accepts H200011-XX-XX terminal;
 4. Mates with H200013, H200014;
 5. Color: Natural

Specification:
 Current rating: 2A AC/DC
 Voltage rating: 125V AC/DC
 Contact resistance: 20mΩ Max.
 Insulation resistance: 1000MΩ Min.
 Withstanding voltage: 500VAC/minute.
 Ambient temperature range: -40°C~105°C.

Dimensional information(mm)

Circuits	DIM A	DIM B	DIM C	DIM D
10	12.00	8.00	10.60	5.10
12	14.00	10.00	12.60	6.80
14	16.00	12.00	14.60	6.80
16	18.00	14.00	16.60	6.80
18	20.00	16.00	18.60	6.80
20	22.00	18.00	20.60	6.80
22	24.00	20.00	22.60	6.80
24	26.00	22.00	24.60	6.80
26	28.00	24.00	26.60	6.80
28	30.00	26.00	28.60	6.80
30	32.00	28.00	30.60	6.80
32	34.00	30.00	32.60	6.80
34	36.00	32.00	34.60	6.80
36	38.00	34.00	36.60	6.80
38	40.00	36.00	38.60	6.80
40	42.00	38.00	40.60	6.80

REV	Description	DATE	GENERAL TOLERANCES (unless specified)	UNITS	MM	DATE	DRAWING	2018-03-05	东莞市恒创连接器有限公司
A	新版发行	2018-06-05	X.X±0.4	SCALE	1:1	CHECKED BY	Liu zhi guo	PRODUCT NAME	DONG GUAN SHI HENG CHUANG CONNECTOR COMPANY LIMITED
			X.XX±0.25	REV	A	APPROVAL BY	Li peng	RART NUMBER	2.0 mm wire to Board housing
			X.XXX±0.15				OYSW		H200012-XX



- Features:
1. Material: Phosphor Bronze;
 2. Finished: Tin-plated ;
 3. Used in H200012-XX
 4. Wire range: #22~#28 AWG

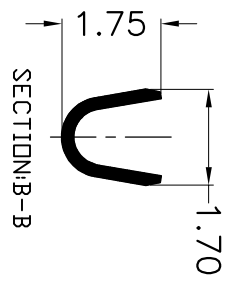
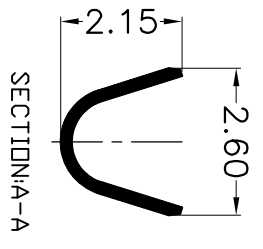
Specification:

Current rating: 2A AC/DC
 Voltage rating: 125V AC/DC
 Contact resistance: 20mΩ Max.
 Insulation resistance: 1000MΩ Min.
 Withstanding voltage: 500VAC/minute.
 Ambient temperature range: -40°C~105°C.

SERIES NO: H200011-XX-XX

Wire range: PLATING:

01: #22 #28 0T-Tin-plated



REV	Description	DATE	GENERAL TOLERANCES (unless specified)	UNITS	MM	DATE	2018-03-05	东莞市恒创连接器有限公司	
A	新版发行	2018-06-05	X.X±0.4	SCALE	1:1	DRAWING	Liu zhi guo	DONG GUAN SHI HENG CHUANG CONNECTOR COMPANY LIMITED	
			X.XX±0.25	REV	A	CHECKED BY	Li peng	PRODUCT NAME	2.0 mm wire to Board Terminal
			X.XXX±0.15			APPROVAL BY	OYSW	PART NUMBER	H200011-XX-XX