

H200013-XX

SERIES NO:

PIN Q'PY: 10~40

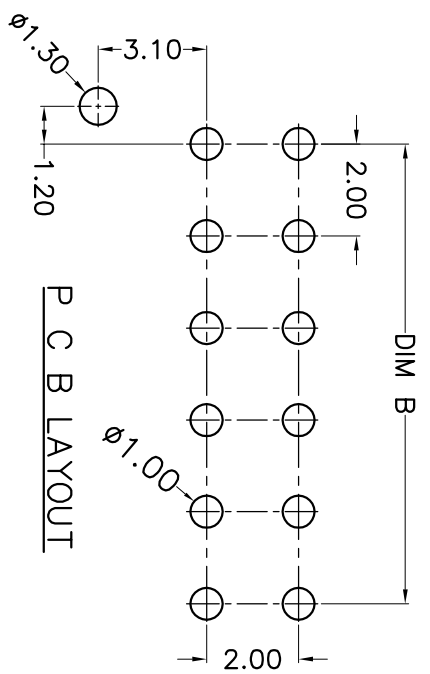
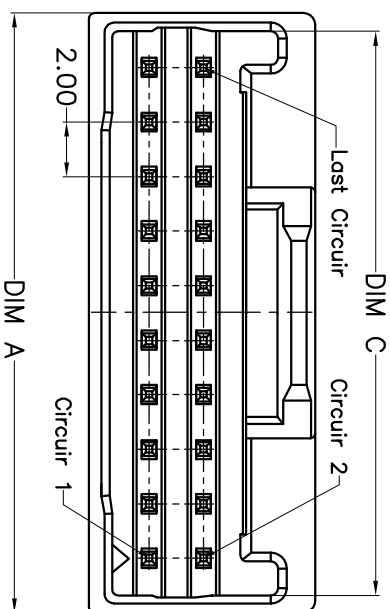
- Features:
1. 10~40 circuits available;
 2. Material: PA46 UL94V-0;
 3. Contact: Brass;
 4. Finished: Tin-plated;
 5. Mates with H200012-XX housing;

Specification:

Current rating: 2A AC/DC
 Voltage rating: 125V AC/DC
 Contact resistance: 20mΩ Max.
 Insulation resistance: 1000MΩ Min.
 Withstanding voltage: 800VAC/minute.
 Ambient temperature range: -40°C~85°C.

Dimensional Information(mm)

Circuits	DIM A	DIM B	DIM C	DIM D
10	12.00	8.00	10.70	7.30
12	14.00	10.00	12.70	9.20
14	16.00	12.00	14.70	9.20
16	18.00	14.00	16.70	9.20
18	20.00	16.00	18.70	9.20
20	22.00	18.00	20.70	9.20
22	24.00	20.00	22.70	9.20
24	26.00	22.00	24.70	9.20
26	28.00	24.00	26.70	9.20
28	30.00	26.00	28.70	9.20
30	32.00	28.00	30.70	9.20
32	34.00	30.00	32.70	9.20
34	36.00	32.00	34.70	9.20
36	38.00	34.00	36.70	9.20
38	40.00	36.00	38.70	9.20
40	42.00	38.00	40.70	9.20



P C B LAYOUT

REV	Description	DATE	GENERAL TOLERANCES (unless specified)	UNITS	MM	DATE	DRAWING	PRODUCT NAME
A	新版发行	2018-06-05	X.X±0.4	SCALE	1:1	2018-03-05	Liu zhi guo	东莞市恒创连接器有限公司
			X.XX±0.25	REV	A		Li peng	DONG GUAN SHI HENG CHUANG CONNECTOR COMPANY LIMITED
			X.XXX±0.15	APPROVAL BY	OYSW			PRODUCT NAME
								2.0 mm vertical header
								PART NUMBER
								H200013-XX

东莞市恒创连接器有限公司

DONG GUAN SHI HENG CHUANG CONNECTOR COMPANY LIMITED

PRODUCT NAME: 2.0 mm vertical header

PART NUMBER: H200013-XX