

- Features:
1. 4~16 circuits available;
 2. Material: LCP UL94V-0 Black/Natural;
 3. PIN Material: High conductivity copper alloy Tin-plated, S00.64;
 4. Mates with H250012 housing;

Specification:

Current rating: 8A at 10A .

Voltage rating: 400V AC or 400V DC Max.

Contact resistance: 10mΩ Max.

Insulation resistance: 100MΩ Min.

Withstanding voltage: 1800VAC/minute.

Ambient temperature range: -40°C~105°C.

Dimensional information (mm)

Circuits	DIM A	DIM B
4	5.94	2.50
6	8.44	5.00
8	10.94	7.50
10	13.44	10.00
12	15.94	12.50
14	18.44	15.00
16	20.94	17.50

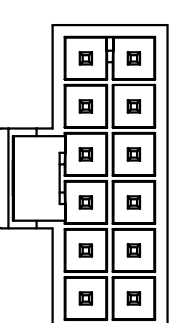
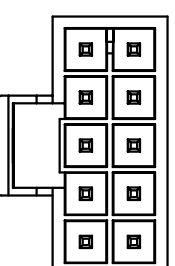
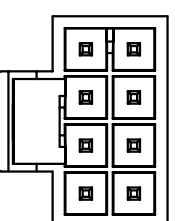
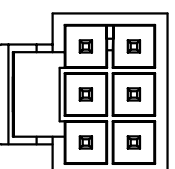
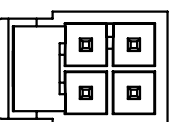
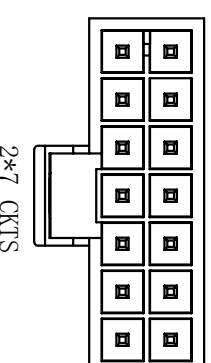
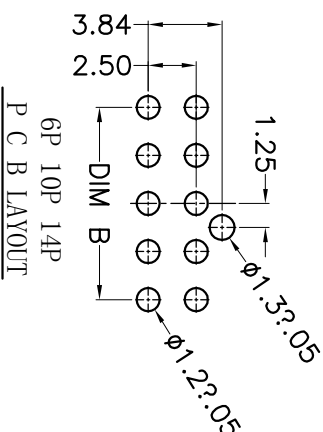
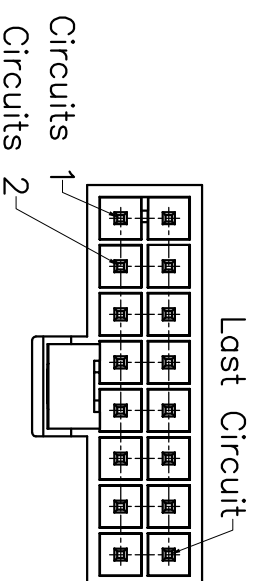
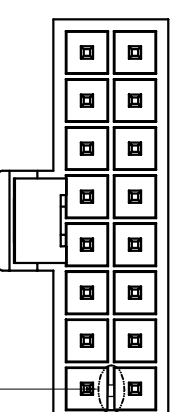
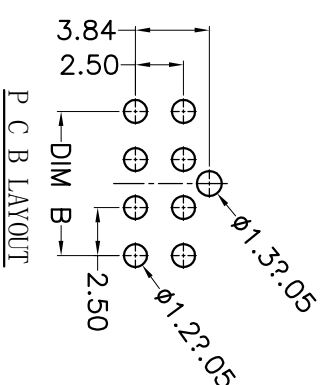
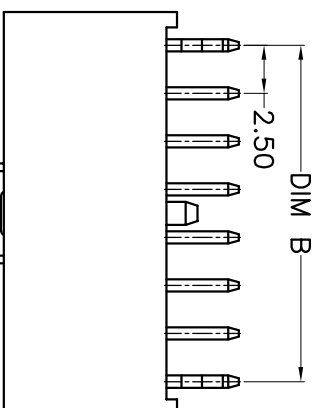
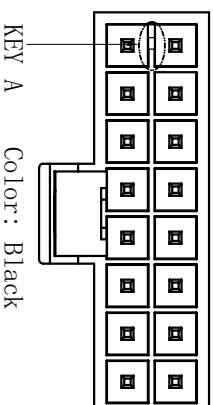
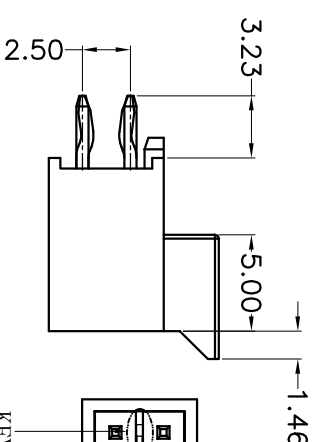
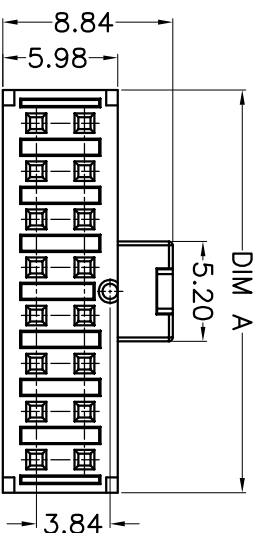
H250013-XX-X

SERIES NO:

PIN Q'PY: 04~16

A-BLACK (KEY A)

B-NATURAL (KEY B)



2*2 CKTS

2*3 CKTS

2*4 CKTS

2*5 CKTS

2*6 CKTS

REV Description

DATE

GENERAL TOLERANCES (unless specified)

UNITS

MM

DATE

东莞市恒创连接器有限公司
DONG GUAN SHI HENG CHUANG CONNECTOR COMPANY LIMITED

A 新版发行

2019-06-05

X.X±0.4

SCALE

1:1

DRAWING

PRODUCT NAME

X.XX±0.25

REV

A

CHECKED BY

2.5 mm Right vertical header

X.XXX±0.15

APPROVAL BY

OYSW

APPROVAL BY

PART NUMBER

H250013-XX-X

2019-03-05
Liu zhi guo

Li peng

2019-03-05

2.5 mm Right vertical header