

Features:

- 1. 2~8 circuits available;
- 2. Material: LCP UL94V-0 Black/Natural;
- 3. PIN Material: High conductivity copper alloy Tin-plated, SQ0.64;
- 6. Mates with H2500S12 housing;

Specification:

- Current rating: 8A at 10A .
- Voltage rating: 400V AC (RMS) or 400V DC Max.
- Contact resistance: 10mΩ Max.
- Insulation resistance: 100MΩ Min.
- Withstanding voltage: 1800VAC/minute.
- Ambient temperature range: -40°C~105°C.

Dimensional information (mm)

Circuits	DIM A	DIM B
2	5.94	2.50
3	8.44	5.00
4	10.94	7.50
5	13.44	10.00
6	15.94	12.50
7	18.44	15.00
8	20.94	17.50

H2500S14-XX-X

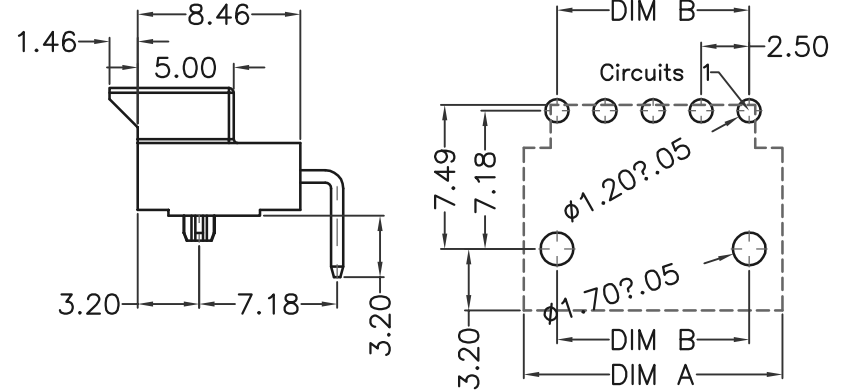
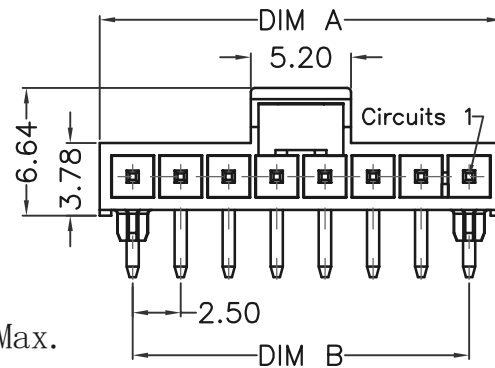
SERIES NO: \_\_\_\_\_

PIN Q' PY: \_\_\_\_\_

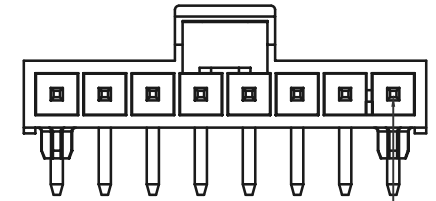
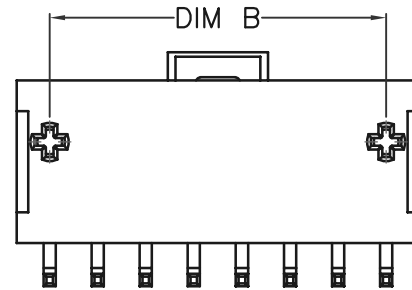
02~08

A-BLACK (KEY A)

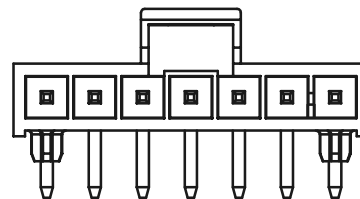
B-NATURE (KEY B)



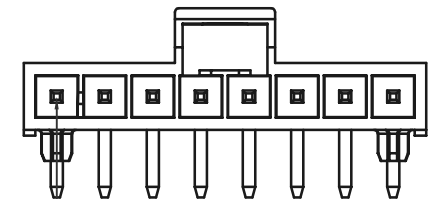
P C B LAYOUT



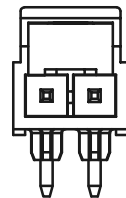
Color: Black KEY A



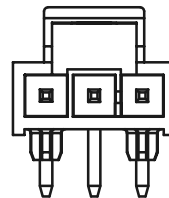
7 CKTS



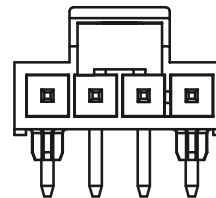
KEY B Color: Natural



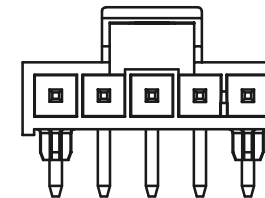
2 CKTS



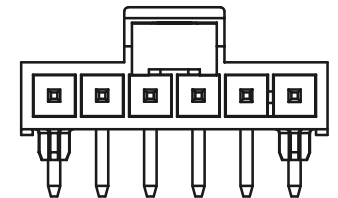
3 CKTS



4 CKTS



5 CKTS



6 CKTS

REV	Description	DATE	GENERAL TOLERANCES (unless specified)	UNITS	MM	DATE	2019-03-05
A	新版发行	2019-06-05	X.X±0.4	SCALE	1:1	DRAWING	Liu zhi guo
			X.XX±0.25	REV	A	CHECKED BY	Li peng
			X.XXX±0.15	APPROVAL BY		OYSW	

东莞市恒创连接器有限公司

DONG GUAN SHI HENG CHUANG CONNECTOR COMPANY LIMITED

PRODUCT NAME 2.5mm Right Angle Single Row header

RART NUMBER H2500S14-XX-X